

Cam-Ball HD Integrated Remote Camera



- 2 Megapixel HD CMOS Camera
- HD/SD switchable, PAL, NTSC,
- 10:1 zoom
- Slip Rings
- Inverted or Upright Mounting
- Rugged and Weather proof
- 8 Preset positions P,T,Z,F
- Internal radio data receiver option
- SDI option
- HDSDI option *

The **Cam-Ball HD** is a further development of our original Cam-Ball. Not only is the camera upgraded to High Definition but also all the mechanics, electronics and servos to offer unrivalled, smooth, on-shot moves with full, simultaneous control of Pan, Tilt, Zoom and Focus, together with all available camera CCU functions.

The unit is fully weatherproof and can withstand extended periods outside or on boat decks etc. Slipping clutches are fitted to both axis to protect the mechanics from external forces and to make rigging very easy.

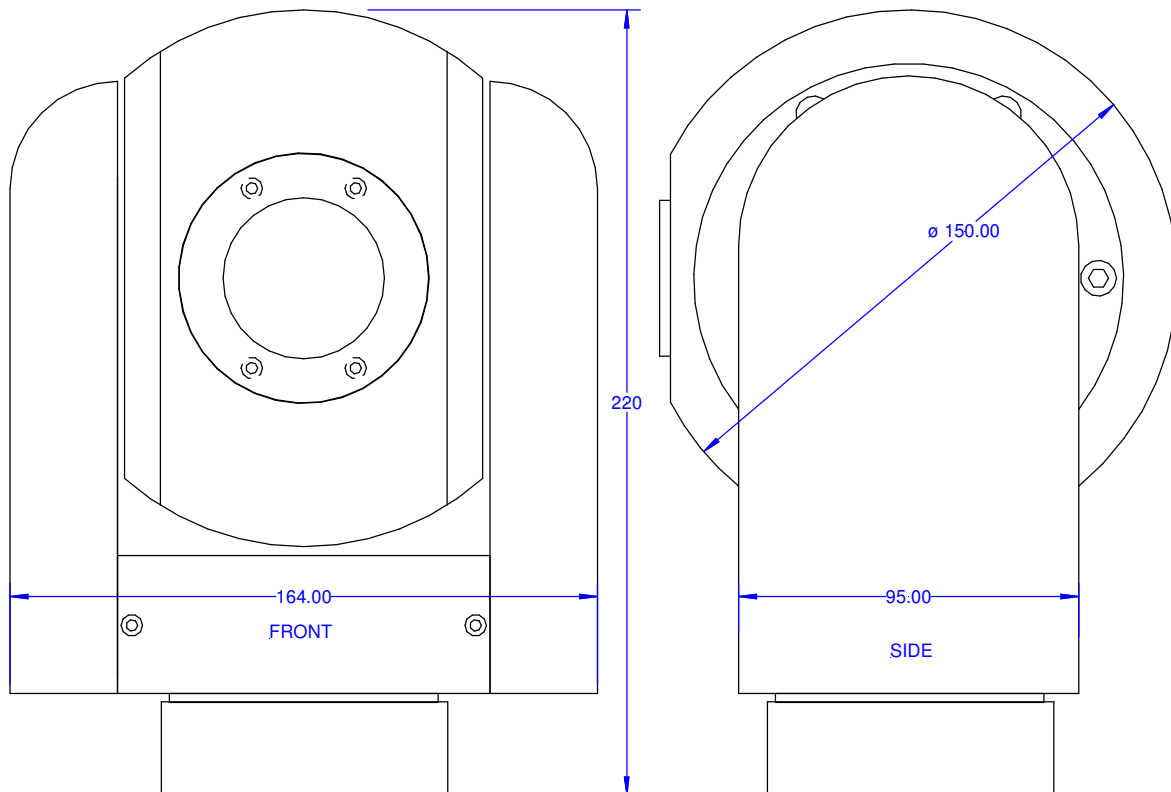
Slip rings are fitted to the pan axis enabling continuous 360 degree rotation. The **Cam-Ball HD** can also be mounted inverted. The tilt rotation angle is a total of approximately 270 degrees. This and the slip rings make inverted mounting very straightforward.

The camera specification is identical to our **BE-HD10 Camera** offering HD performance together with a 10:1 zoom lens and is SD/HD switchable. Wide angle converters can easily be attached to the camera.

Data and power are supplied in the same 4 core cable via an XLR4 connector on the base. All camera output signals are available via the 15way D plug on the base.

The **Cam-Ball HD** is fully featured for both live action moves and preset positioning together with full, simultaneous, camera and lens control using RS485 data. It is extremely quiet, for studio use, and has smooth and precisely controllable speeds with a range of 90deg/Sec to 0.5deg/Sec or less.

8 preset positions can be memorised and re-called. This includes: Pan, Tilt, Zoom and Focus for each preset. These positions, and the main camera settings, are automatically stored even during power down. Clutch slip, even when powered down, will not affect the preset positions.



Weight: 3.4kg
Data: RS485
Power: 12-24v @ 1A
Outputs: HD Component, 1080i/50, 1080i/59.94, 720p/50, 720p/59.94, SD Composite, PAL, NTSC 4:3 or 16:9
Options: SDI or HDSDI *
Up to 2 internal radio data receivers
Wide angle converters

* Available April 2008

www.bradeng.com Tel: +44 (0) 1590 622440

