

Cam-Ball HD Integrated Remote Camera



- 2 Megapixel HD CMOS Camera
- HD/SD switchable, PAL, NTSC,
- 10:1 zoom
- Slip Rings
- Inverted or Upright Mounting
- Rugged and Weather proof
- 8 Preset positions P,T,Z,F
- Internal radio data receiver option
- 10 bit SDI / HDSDI options
- Infra-Red sensitive option

The **Cam-Ball HD** is a further development of our original Cam-Ball. The camera has been upgraded to High Definition and all the mechanics, electronics and servos have also been upgraded to offer unrivalled, smooth, on-shot moves with full, simultaneous control of Pan, Tilt, Zoom and Focus, together with all available camera CCU functions.

The unit is fully weatherproof and can withstand extended periods outside or on boat decks etc. Slipping clutches are fitted to both axis to protect the mechanics from external forces and to make rigging very easy. It can be mounted either way up.

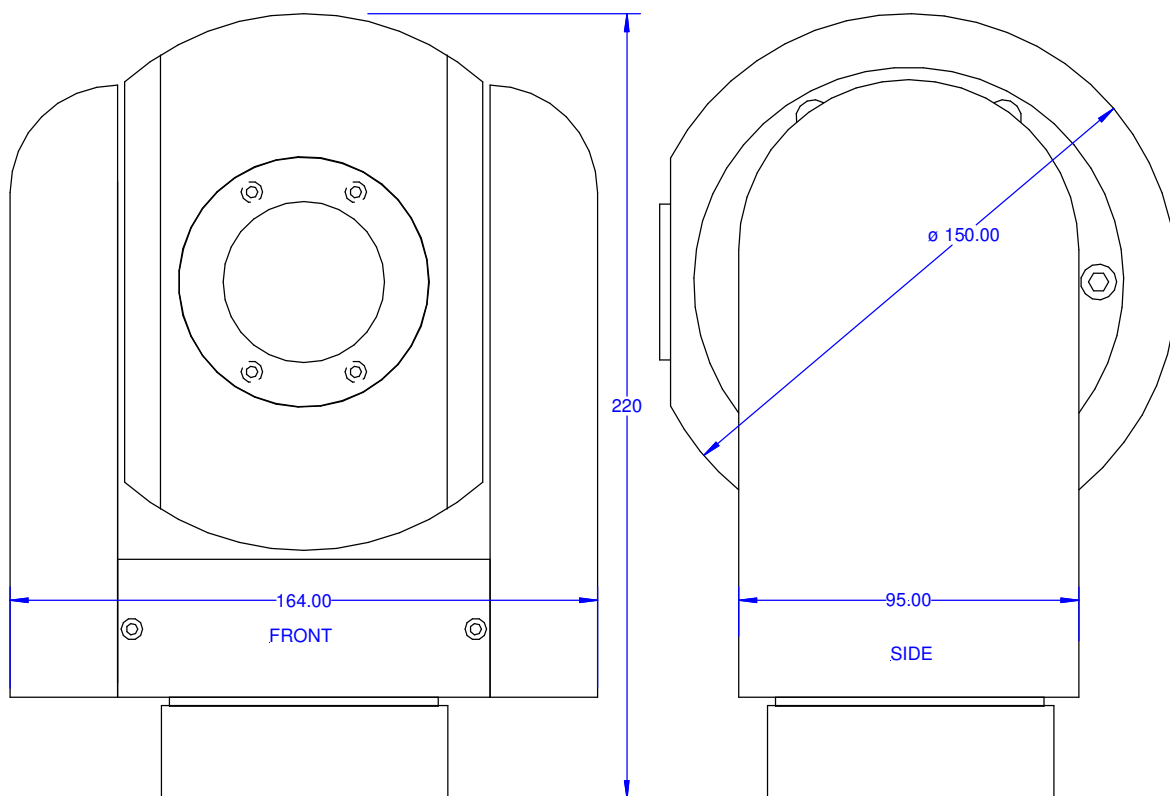
It is fitted with slip rings enabling continuous 360 degree pans. All the SD and HD signals pass through the slip rings and both SDI or HDSDI outputs can be available on the base together with all analogue output signals.

The camera specification is identical to our **BE-HD10 Camera** offering HD performance together with a 10:1 zoom lens and is SD/HD switchable. Wide angle converters can easily be attached to the camera.

8 preset positions can be memorised and re-called. This includes: Pan, Tilt, Zoom and Focus for each preset. These positions, and the main camera settings, are automatically stored even during power down. Clutch slip, even when powered down, will not affect the preset positions.

The **Cam_Ball HD** is also available as a remotely switchable Infra_Red sensitive version. The **Cam_Ball IR** has lamp mounting threads top and bottom and remotely switchable power outputs for the lamps or other accessories.

A 2 axis gyro stabilised version is also available. This is slightly taller to allow space for the gyros and additional electronics.



- Weight:** 3.4kg
Data: RS485
Power: 12-24v @ 1A
Outputs: HD Component, 1080i/50, 1080i/59.94,
720p/50, 720p/59.94,
SD Composite, PAL, NTSC 4:3 or 16:9
Options: SDI or HDSDI output module
Up to 2 internal radio data receivers
Cam_Ball IR - Infra-Red sensitive
Carbon Fibre Covers
Gyro Stabilisation
Wide angle converters

