

BRADLEY ENGINEERING

Hollybush Farmhouse, Lymington Road, Brockenhurst, Hampshire. SO42 7UF Tel:01590 622440

Elipticam



- On-board Yacht Camera
- HD/SD switchable
- Radio Controlled
- 360 degree pan, +30 to -100 tilt
- Zoom, Iris, Focus and CCU control
- Waterproof
- Small & Lightweight - only 1.5kg

The **Elipticam**, from Bradley Engineering, is an innovative development of the dome camera which overcomes the main limitations of this type of design. It can tilt above and below the horizon without being eclipsed by the casing.

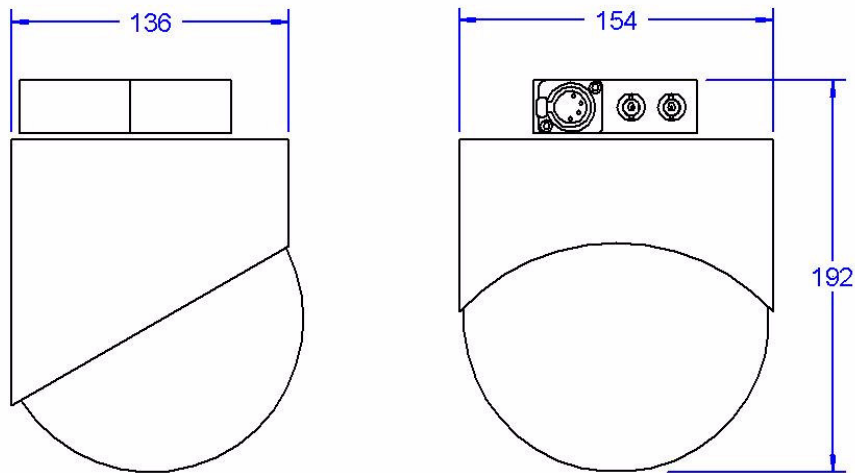
Utilising the Bradley Engineering proven remote HD camera technology, the **Elipticam** delivers stunning and dynamic live or recorded images from the thick of the action.

The camera can produce both wide angles and individual close-ups of crew members as they are racing, offering a unique perspective and greatly enhancing the viewer's enjoyment of this highly competitive sport.



Also in this picture is the Bradley Engineering **Gyro235** mounted on a chase boat for additional tracking shots on the water.

For further details contact Bradley Engineering:
www.bradeng.com



Power: 12v - 20v @ 12W max.

Data: RS232c, 9600baud

Camera: 2 Megapixel HD CMOS chip, 10:1 Zoom, 50deg. - 5.5deg.

Pan angle: 250deg. (without sliprings) 360deg. continuous (with sliprings)

Tilt angle: +30deg. -90deg.

Remote: Zoom, Iris, Focus
Auto White, Manual White, Preset White, Rgain, Bgain, Detail, Shutter,
Gain, Gamma, Dzoom On/Off, Auto Iris On/Off, Auto Focus On/Off

Outputs: Standard Definition
PAL 4:3, PAL 16:9, NTSC 4:3, NTSC 16:9 - Composite, Y/C, SDI

High Definition
1080i/50, 1080i/59.94, 720p/50, 720p/59.94, - Component, HDSDI (10
bit)

Connections: 2 x BNC (VBS & HDSDI) + D-sub 15way (Component / Y/C /
Power / Data