

HDC_100

Mini Remote Ball Camera



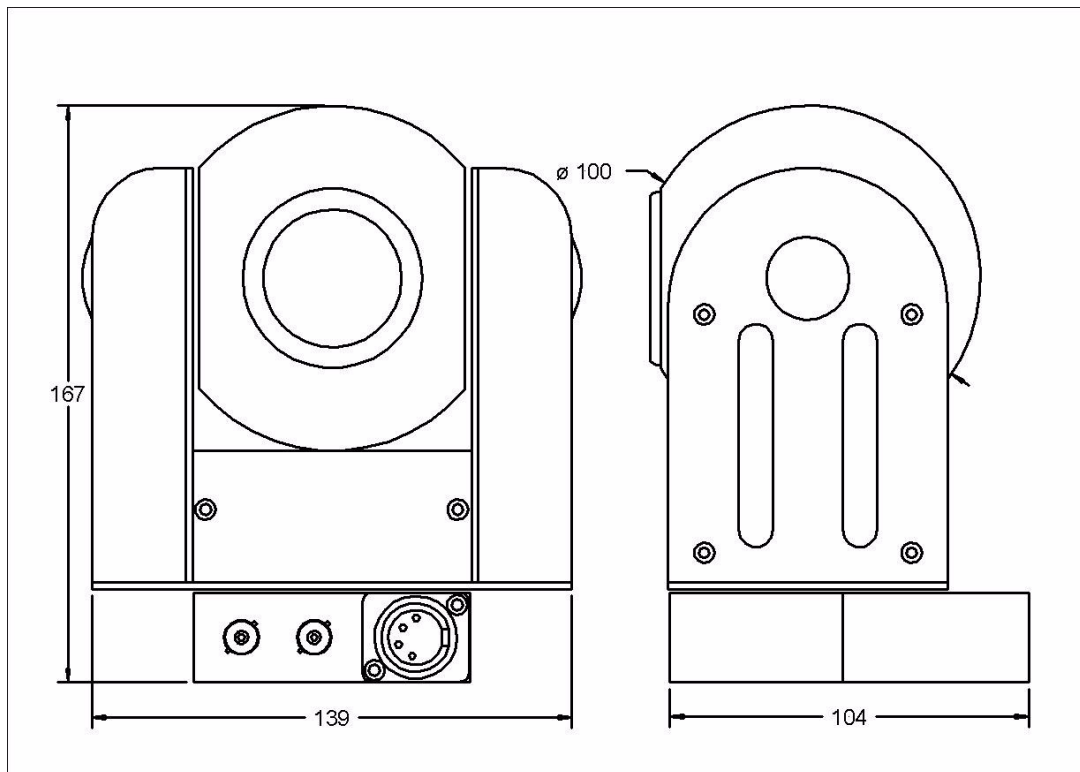
- 100mm diameter ball
- Smooth & quiet operation
- 2 Megapixel HD CMOS Camera
- HD/SD switchable, PAL, NTSC, 1080i, 720p,
- 10:1 zoom
- Inverted or Upright Mounting
- 32 Preset positions P,T,Z,F
- 10 bit SDI / HDSDI
- Infra-Red sensitive option

The **HD_100** is possibly the smallest, fully remote, HD camera available. Although small, it retains the features of our larger cameras including the full on-shot move capability across the 2000:1 speed range. Fully proportional and simultaneous Pan, Tilt, Zoom and Focus moves are standard on the **HDC_100**.

The camera is the same specification as our popular **BE_HD10** Mini camera which can be switched to either SD or HD in many formats. CCU functions are also controllable via the single data and power link over a simple XLR4 cable.

The **HDC_100** is ideal for theatres, reality shows, conferences, commentary positions, dressing rooms, vehicles, or anywhere that a small discrete camera is required with full remote control.

Dimensions:



Weight: 1.5kg

Data: RS485

Power: 12-24v @ 1A

Outputs: SDI & Composite PAL, NTSC 4:3 or 16:9
HDSDI, 1080i/50, 1080i/59.94, 720p/50, 720p/59.94

Options: Wide angle converters
Infra Red switchable
Colour Options
Sony Protocols

