

U2/S - Mini Remote Head



Smooth & Quiet Operation
Extremely Slow and Fast speeds
Instantly Responsive
BE_HD10 Camera control
Zoom & Focus Control
Preset Positions

The **U2/S** Mini Remote Head is the smallest 'U' head in the range. Like the larger versions it is fully featured for both live action moves and preset positions together with full camera and lens control using RS485 data. The head is weatherproof and can be used externally without further protection.

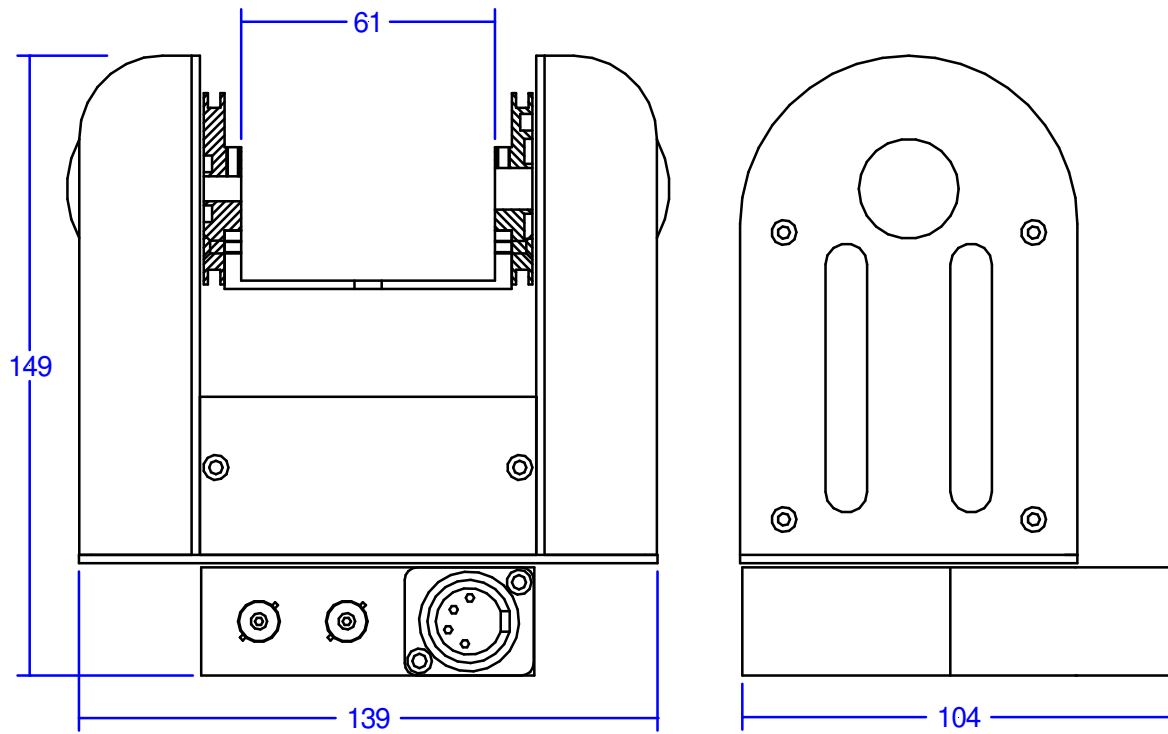
The **U2/S** is quiet, smooth and has a precisely controllable speed range of 90deg/sec to 0.01deg/sec or less. This gives smooth moves even with 40x lenses. The preset positions are achieved quickly for fast repositioning.

The standard unit supports our **BE_HD10** multi standard **Mini HD Camera** and offers a built-in PSU, plus engineering control of the camera via the same data path. This makes cabling extremely simple, using just a single 4-core XLR cable for both power and data.

Inverted mounting is easy as the camera has a mounting hole on the top side. Pan and Tilt clutches are fitted to protect the mechanics and for easy rigging.

As standard the **U2/S** can store 8 preset positions of pan, tilt, zoom and focus. Pan and tilt positions are accurate to less than 1degree.

Dimensions:



Weight: 1.36kg

Power: 12- 15v @ 0.5A

