

Cam-Ball, Integrated Remote Camera



The **Cam-Ball** is an integrated, small remote camera offering smooth on-shot moves and full remote control of the Pan, Tilt, Zoom, Focus, Iris and all available camera engineering functions.

The unit is fully weatherproof and can withstand extended periods outside or on boat decks etc. Slipping clutches are fitted to both axis to protect the mechanics from external forces and to also to make for easy rigging.

Slip rings are fitted to the pan axis enabling continuous 360 degree rotation. The Cam-Ball can also be mounted inverted. The tilt rotation angle is a total of approximately 270 degrees. This and the slip rings make inverted mounting very straightforward.

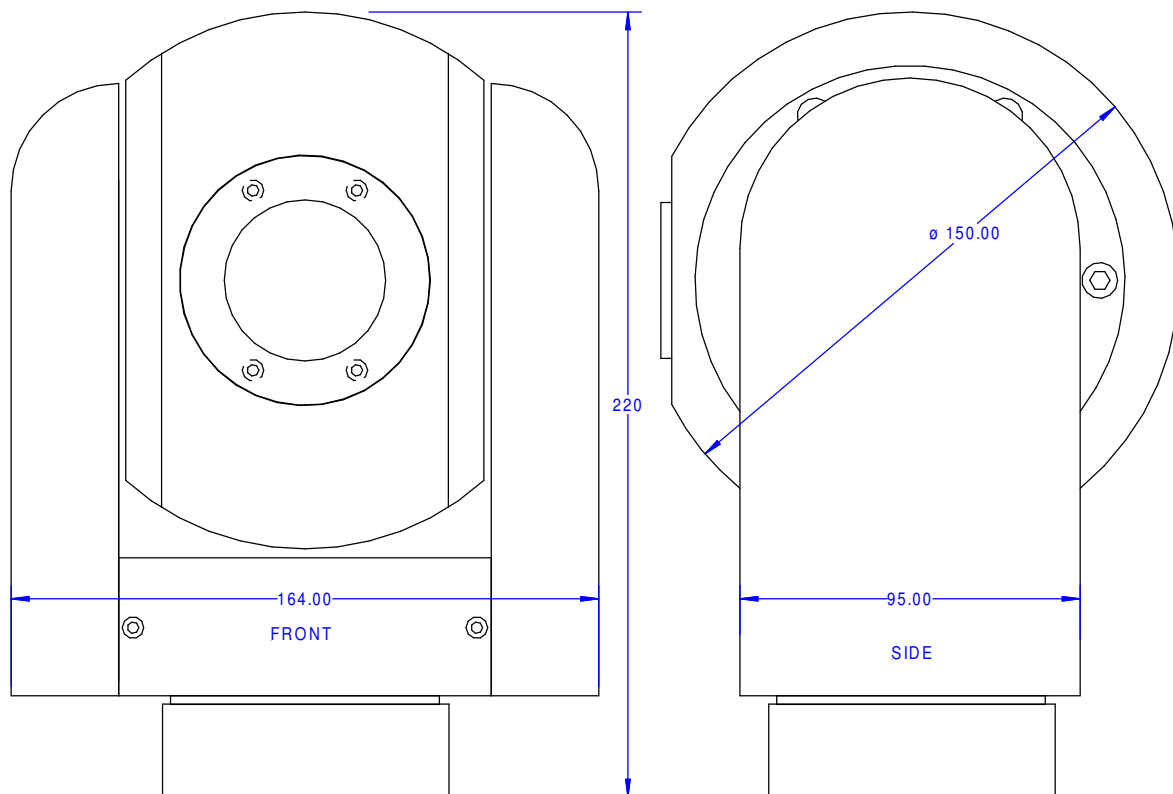
The camera unit is identical to our **BE-03V Camera** offering 3 chip performance together with a 12:1 zoom lens and is 16:9 switchable. Wide angle converters can easily be attached to the camera.

Data and power are supplied in the same 4 core cable via the waterproof 5 pin connector on the base. All camera output signals are available via the 15way D plug on the base.

Our standard speed servos offer the best compromise between very slow and controlled moves at the tight end of the lens to fast repositioning and action control at the wide end. For special requirements we can change the servo gearheads for faster or slower operation.

8 preset positions can be memorised and re-called. The memory stores; Pan, Tilt, Zoom and Focus for each preset. These positions are stored even during power down as are the main camera settings. (Aspect ratio, White balance etc.) Also, the preset positions are independent of the clutches so clutch slip will not change the preset pan & tilt positions.

Dimensions:



Weight 3.4kg

Data: RS485

Power: 12-28v @ 1A

Outputs: R,G,B, Sync

Y, C

Composite

PAL or NTSC options

Options: SDI + Genlock external unit

Colours: Silver, Black, Black/Silver (others to special order)