

Mini Remote Head



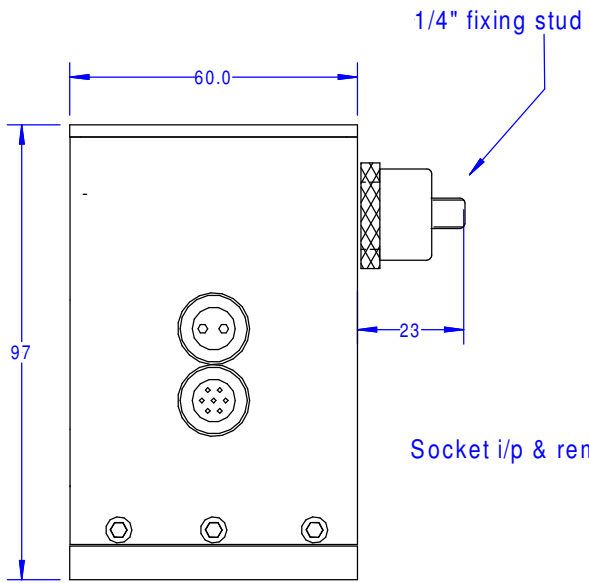
RS485 control to over 1km
Single Cable for Power & Data
Smooth Proportional Control
Anti Backlash Mechanics
Clutches on Both Axis
Quiet Operation
Iris Servo Drive Output
Camera Power Output*
Camera Data Output*
Fully Weatherproof
Inverted or Upright Mounting
Suited to Toshiba and other minicams

Dimensions; Height -100mm, Dia. -60mm, Clutch Protrusion - 20mm, Weight 480g.
Power - 12-28v, Control - RS485 to 1.2km (4 core cable) Input - XLR4 (power & data)

Output Pinout:

7. Ground
2. Camera Power*
3. Data to Camera (TTL)*
4. Data From Camera (TTL)*
5. Iris DC Servo (Max. 1A)
6. Iris DC Servo (Max. 1A)

*On Specific Models



Socket i/p & remote Iris

