

U3 - Remote Pan & Tilt Head



The **U3 Head** is a small but fully featured pan & tilt head which offers both live action moves, preset positions together with full camera and lens control using RS485 data. The head is weatherproof and can be used externally without further protection.

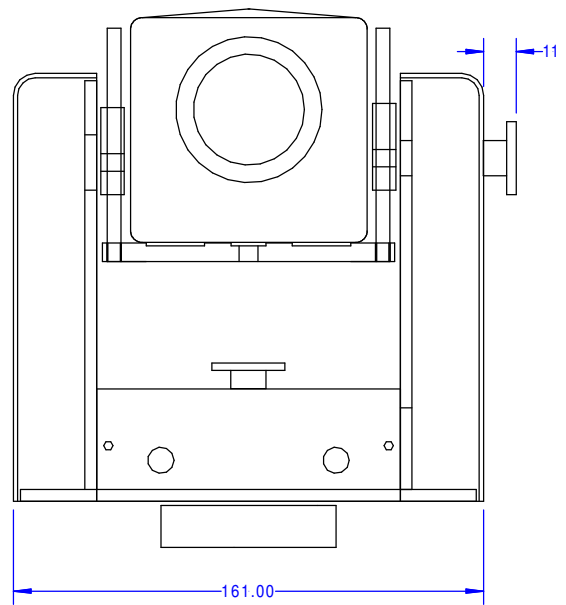
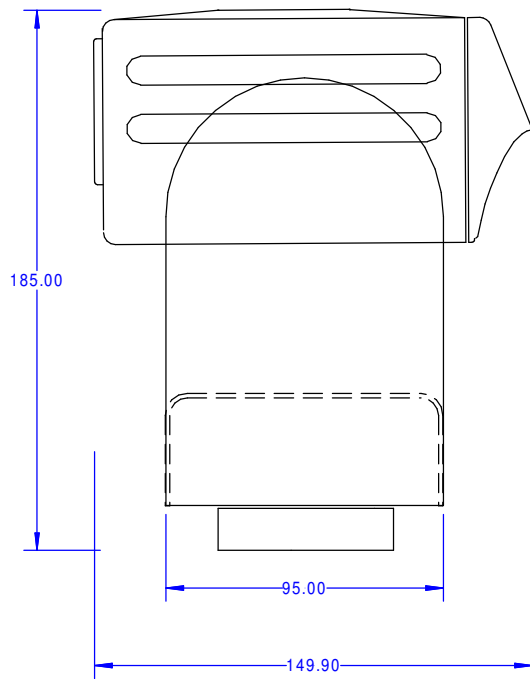
The **U3 Head** is pictured with the **BE-03V Camera** but various cameras and lens combinations can be used with the head offering control of; **Pan, Tilt, Zoom, Focus, Iris, Speed Range, Turbo speed, Direction reverse, 8 preset positions (P,T,Z & F), White balance, Gain, Shutter, 16:9/4:3**, etc. (depending on the camera fitted) Different camera control protocols can be embedded into the head to control various cameras. An independent internal 12 volt regulator supplies power for the camera up to 1.5Amp.

A 12 pin Hirose lens control socket is fitted to the front of the unit. Internal jumpers and adjusters configure this socket appropriately for centre voltage and range. Another jumper configures this socket to drive 3 x small DC motors, up to 1A, bi-directionally and fully proportionally via this socket. These motors can drive zoom, focus, and iris.

Inverted or even side mounting (for vertical shots) presents no problems for the head as the camera is centre-of-gravity balanced in both axis. Pan and Tilt clutches are fitted to protect the mechanics and for easy rigging.

Data and power are supplied via the same 4 core cable and are connected to the head via the industry standard 4 pin XLR connector. The cable length to the head can be up to 1 km using good quality balanced audio cable for the data.

Up to 10 cameras and heads can be connected in a 'daisy chain' manner to a controller. Alternatively the heads may be controlled via a radio data link provided this allows 'streaming' of the data. The **U3 Head** does all the data and error handling internally and is optimised for live action control. Each head recognises its' own ident, therefore the same frequency can be used for up to 64 heads.



Dimensions: Height 165mm, Width 165mm, Depth 95mm Weight 1.6kg
Including BE-03V Camera: Height 185mm, Width 165mm, Depth 165mm Weight 2.2kg